

SPECIFICATIONS

Voltage	220V-240VAC / 100V-240 VAC
Width / Height	W50mm x H85mm
Length	1182mm
Power (W/m /ft)	31.1 W/pc
Efficacy Up to	90lm/w
Control	Dali , 0-10V, on/off

LED CHIPS AND DRIVER OPTIONS



SPECIFICATIONS

	2700K	3000K	3500K	4000K	5000K	6500K
RA 80	2399lm / 1.2m	2526lm / 1.2m	2659lm / 1.2m	2799lm / 1.2m	2799lm / 1.2m	2799lm / 1.2m
RA 90	2127lm / 1.2m	2020lm / 1.2m	1919lm / 1.2m	2239lm / 1.2m	2239lm / 1.2m	2239lm / 1.2m
RA 95	1914lm / 1.2m	1818lm / 1.2m	1727lm / 1.2m	2015lm / 1.2m	2015lm / 1.2m	2015lm / 1.2m
SAMSUNG RA80	2393lm / 1.2m	2273lm / 1.2m	2159lm / 1.2m	2519lm / 1.2m	2519lm / 1.2m	

Note:

- The given data are typical values in 4000K CRI80+. Due to tolerances of the production process and the electrical components, values for light output and electrical power can vary up to 10%.
- 15% less on luminous flux at Traic driver,DALI and 0/1-10V driver, and -10% Non-Dim driver.
- Above data based on Non-Dimmable for all luminaires.
- More customized LED and CCT available.

ORDERING INFORMATION

LUMINAIRE	FINISH	LENS	LENGTH	COLOR QUALITY ¹	COLOR TEMP ²	CRI	INSTALL ACCS.	IP GRADE	CONTROL OPTOINS
U5085L	W White B Black S Silver	90 -90Deg. PMMA Lens	4- 1182mm	3 3-Step MacAdam Ellipse	30- 3000K 40- 4000K 50- 5000K 65- 6500K	80 80+ CRI 90 90+ CRI	TLR- Trimless Recessed	22 IP22	D1- DALI D2- 0-10V D3- On/off

1. Blueview's standard is 3-Step MacAdam
 2. The listed Color Temperature is only available in CRI80+ in Nichia Chips. For more options, pls. check with your executive sales.
 3: Nichia's CRI 90+ option's is not the general inventory, the leading time is around 4weeks for it. Please check with your executive sales in details.

BEAM ANGLE



90°
OPTICAL LENS



LUZ Series is linear LED lighting fixture that features a Down lighting. It's mostly simulating the natural lighting environment. Fixture features 80+ or 95+ Ra LEDs. White color from 2700K to 6500K. Dimmable driver available in Dali, 0/1-10V, DMX, PWM type. Fixture lengths are available in 2ft, 4ft, 5ft and 8ft, and custom lengths are available in 19.6ft.

- ▶ PC diffuser Mostly simulating the natural lighting
- ▶ Sus-Pendant, Ceiling/Wall Mounted, Trimless Recessed installation
- ▶ Designed and engineered with the architectural specifier in mind
- ▶ Refined construction and classic linear illumination

RANGE OF APPLICATIONS

General or local lighting in Office, Educational Institutions, Conference Rooms and many other workspaces.

ELECTRIC GEAR

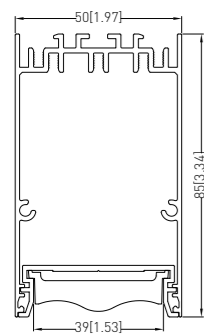
Constant current 0-10V / DALI / Non-dim drivers, Setable white, Dual white / Dime2Warm, DMX, PWM lighting solution available.

ACCESSORIES



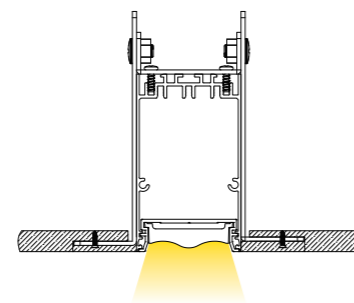
Trimless Recessed Kit

DIMENSION



Unit:mm[in]

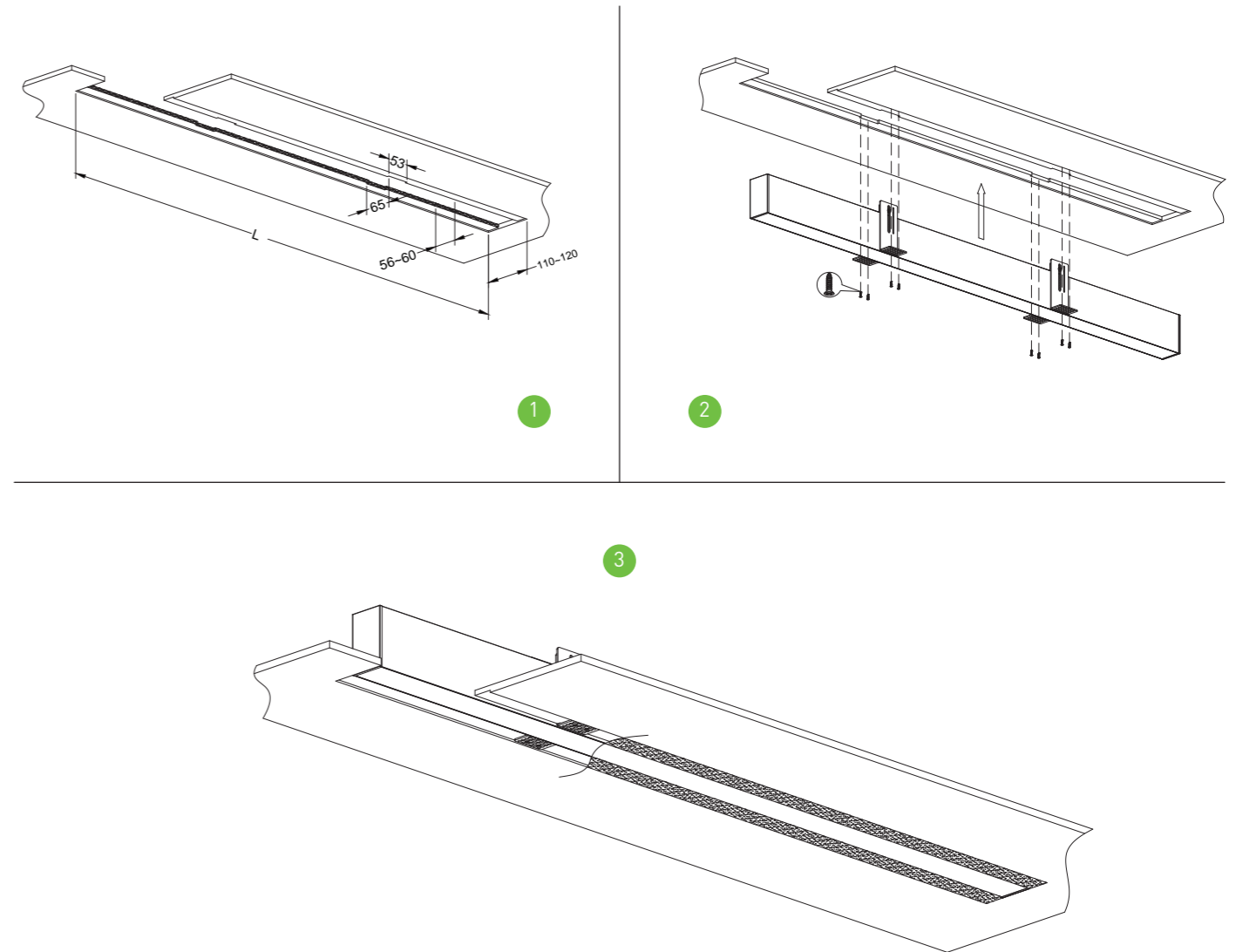
INSTALLATION



Trimless Recessed

INSTALLATION

Caution: Turn off power to electrical box before installing!



- 1 Cut a hole on the ceiling, and make sure the size width is 56-60mm, length is same as luminaire's.
- 2 Wiring the luminaire to AC.
- 3 Insert the luminaire into the hole, and lock it by the Philips screws on 2 sides into the ceiling through the brackets.
- 4 Mud the bracket with ceiling together, and peel the protection film on the lens after the installation. Clean the luminaire if there is some dust/mud left on the lens.



INSTRUCTIONS FOR INSTALLATION AND USE

WARNING : The security of this equipment is guaranteed only with compliance of these instructions, so you must keep them. Installation and all non-routine maintenance must be carried out only by qualified personal.

Disconnect power before taking any action on the fitting.

Blueview is not responsible for any damage to persons and/or property resulting from improper installation, misuse, or unauthorized modifications made to their products.

Obtain the correct power supply unit (accessory not included), install it in a remote location and prepare the cables for their connection

Connect to the power supply (PAYING ATTENTION TO OBSERVE POLARITY, parallel connection)

Explanation of the symbols on the label.

Due to a program of continuous improvement information is subject to change without notice.

© Blueview 2020 – All rights reserved. Made in China.

BLUEVIEW ELEC-OPTIC TECH CO.,LTD

Tel: +86-28-8148 0011 Fax: +86-28-8148 1258

Mail: sales@blueviewled.com

Web.: www.blueviewled.com

Add: No.1000, Konggang 2nd Konggang Road, Southwest Aviation Industrial Zone, Chengdu, China. 610207