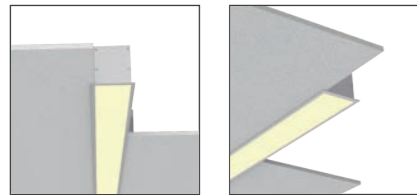
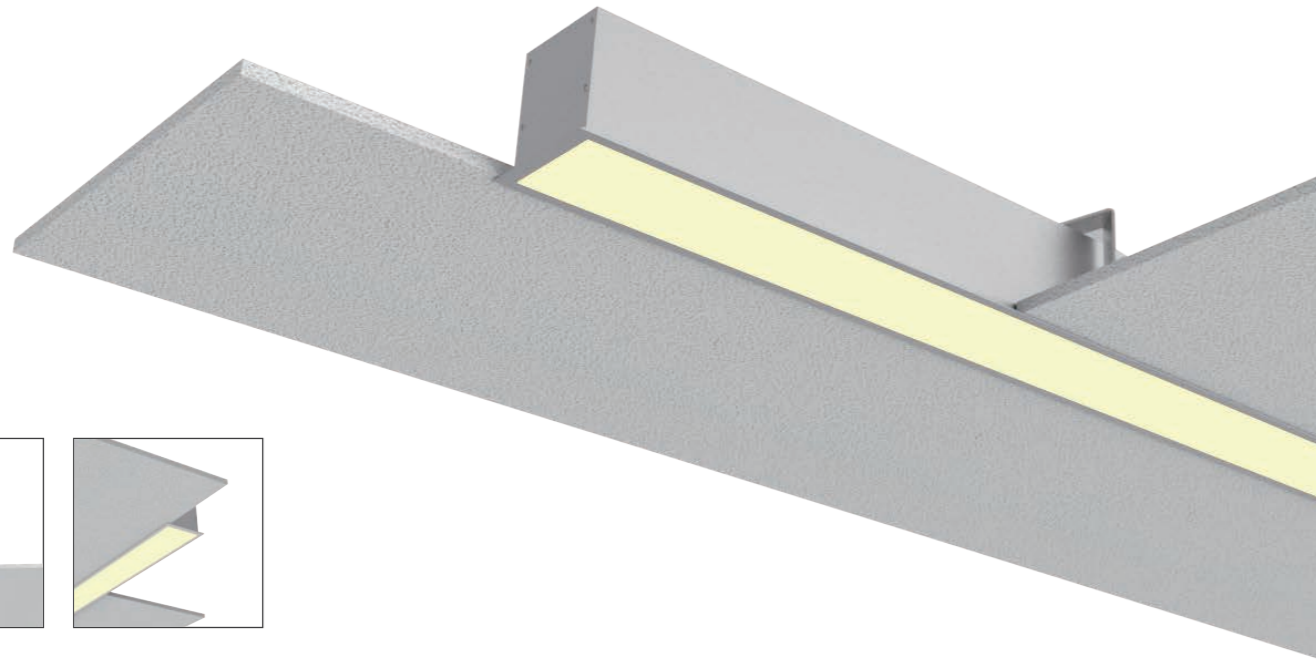


UGR
<19



ORDERING INFORMATION

LUMINAIRE	FINISH	LENS	LENGTH	COLOR QUALITY ¹	COLOR TEMP ²	CRI	INSTALL ACCS.	IP GRADE	CONTROL OPTOINS
U919057	W White	U UGR<19 Kit	2- 608mm	3 3-Step MacAdam Ellipse	27-2700K	80 80+ CRI	TR- Trimed Recessed Installation	22 IP22	D1- DALI D2- 0-10V D3- On/off
	B Black	D Diffuser	4- 1208mm	5 5-Step MacAdam Ellips	30-3000K	90 90+ CRI			
	S Silver		5- 1508mm		35-3500K	95 95+ CRI			
			8- 2408mm		40-4000K 50-5000K 60-6000K 65-6500K				

1. Blueview's standard is 3-Step MacAdam
 2. The listed Color Temperature is only available in CRI80+ in Epistar Chips, for 95+, 90+ in Epistar and Sumsung chips, pls. check the list on following page. For more options, pls. check with your executive sales.

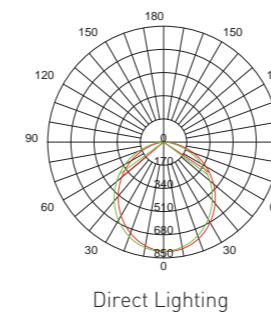
SPECIFICATION

Voltage	220-240 VAC / 100V-240 VAC			
Width / Height	91mm x 90mm			
Length	622mm	1222mm	1522mm	2422mm
Power (W/m /ft)	28 W/pc	56 W/pc	64 W/pc	112 W/pc
Efficacy Up to	85lm/w	90lm/w	90lm/w	90lm/w
Control	Dali , 0-10V, on/off			

LED CHIPS AND DRIVER OPTIONS



BEAM ANGLE



SPECIFICATIONS

	Color Temperature	Lumen / Length			
RA 80	2700K	2161lm / 0.6m	4321lm / 1.2m	4938lm / 1.5m	8642lm / 2.4m
	3000K	2274lm / 0.6m	4549lm / 1.2m	5198lm / 1.5m	9097lm / 2.4m
	3500K	2394lm / 0.6m	4788lm / 1.2m	5472lm / 1.5m	9576lm / 2.4m
	4000K	2520lm / 0.6m	5040lm / 1.2m	5760lm / 1.5m	10080lm / 2.4m
	5000K	2520lm / 0.6m	5040lm / 1.2m	5760lm / 1.5m	10080lm / 2.4m
	6000K	2520lm / 0.6m	5040lm / 1.2m	5760lm / 1.5m	10080lm / 2.4m
	6500K	2520lm / 0.6m	5040lm / 1.2m	5760lm / 1.5m	10080lm / 2.4m
RA 90	2700K	1728lm / 0.6m	3457lm / 1.2m	3951lm / 1.5m	6914lm / 2.4m
	3000K	1819lm / 0.6m	3639lm / 1.2m	4159lm / 1.5m	7278lm / 2.4m
	3500K	1915lm / 0.6m	3830lm / 1.2m	4378lm / 1.5m	7661lm / 2.4m
	4000K	2016lm / 0.6m	4032lm / 1.2m	4608lm / 1.5m	8064lm / 2.4m
	5000K	2016lm / 0.6m	4032lm / 1.2m	4608lm / 1.5m	8064lm / 2.4m
	6000K	2016lm / 0.6m	4032lm / 1.2m	4608lm / 1.5m	8064lm / 2.4m
	6500K	2016lm / 0.6m	4032lm / 1.2m	4608lm / 1.5m	8064lm / 2.4m
RA 95	2700K	1555lm / 0.6m	3110lm / 1.2m	3556lm / 1.5m	6222lm / 2.4m
	3000K	1637lm / 0.6m	3274lm / 1.2m	3743lm / 1.5m	6449lm / 2.4m
	3500K	1723lm / 0.6m	3447lm / 1.2m	3940lm / 1.5m	6894lm / 2.4m
	4000K	1814lm / 0.6m	3628lm / 1.2m	4147lm / 1.5m	7257lm / 2.4m
	6500K	1814lm / 0.6m	3628lm / 1.2m	4147lm / 1.5m	7257lm / 2.4m
SAMSUNG RA 80	3000K	2047lm / 0.6m	4094lm / 1.2m	4679lm / 1.5m	8187lm / 2.4m
	4000K	2268lm / 0.6m	4536lm / 1.2m	5184lm / 1.5m	9072lm / 2.4m
	6500K	2268lm / 0.6m	4536lm / 1.2m	5184lm / 1.5m	9072lm / 2.4m

Note:

- The given data are typical values in PC Diffuser. Due to tolerances of the production process and the electrical components, values for light output and electrical power can vary up to 10%.
- 15% less on luminous flux at Traic driver,DALI and 0/1-10V driver, and -10% Non-Dim driver.
- 10% less on UGR<19 version.
- Above data based on Non-Dimmable for all luminaires.
- More customized LED and CCT available.
- LM-80, IES TM-30-15 testing report available for led.



HONE Series is linear LED lighting fixture that features a Up&Down, Down lighting. It's mostly simulating the natural lighting enviroment. Fixture features 80+ or 95+ Ra LEDs. White color from 2700K to 6500K. Dimmable driver available in Dali, 0/1-10V,DMX, PWM type. Fixture lengths are available in 2ft,4ft,5ft and 8ft, and custom lengths are available in 19.6ft.

- ▶ PC diffuser Mostly simulating thenatural lighting
- ▶ Trim-Less Recessed With Mud-flange
- ▶ Designed and engineered with the architectural specifier in mind
- ▶ Refined construction and classic linear illumination

RANGE OF APPLICATIONS

General or local lighting in Office, Educational Instiutiuons, Conference Rooms and many other workspaces.

ELECTRIC GEAR

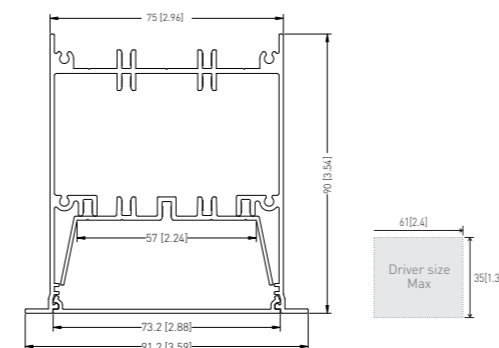
Constant current 0-10V / DALI / Non-dim dirvers, Setable white, Dual white / Dime2Warm, DMX, PWM lighting solution available.

ACCESSORIES & INSTALLATION

ANTI-GLARING FILM FOR UGR<19



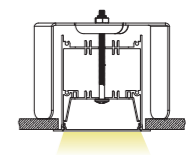
DIMENSION



Unit:mm[in]



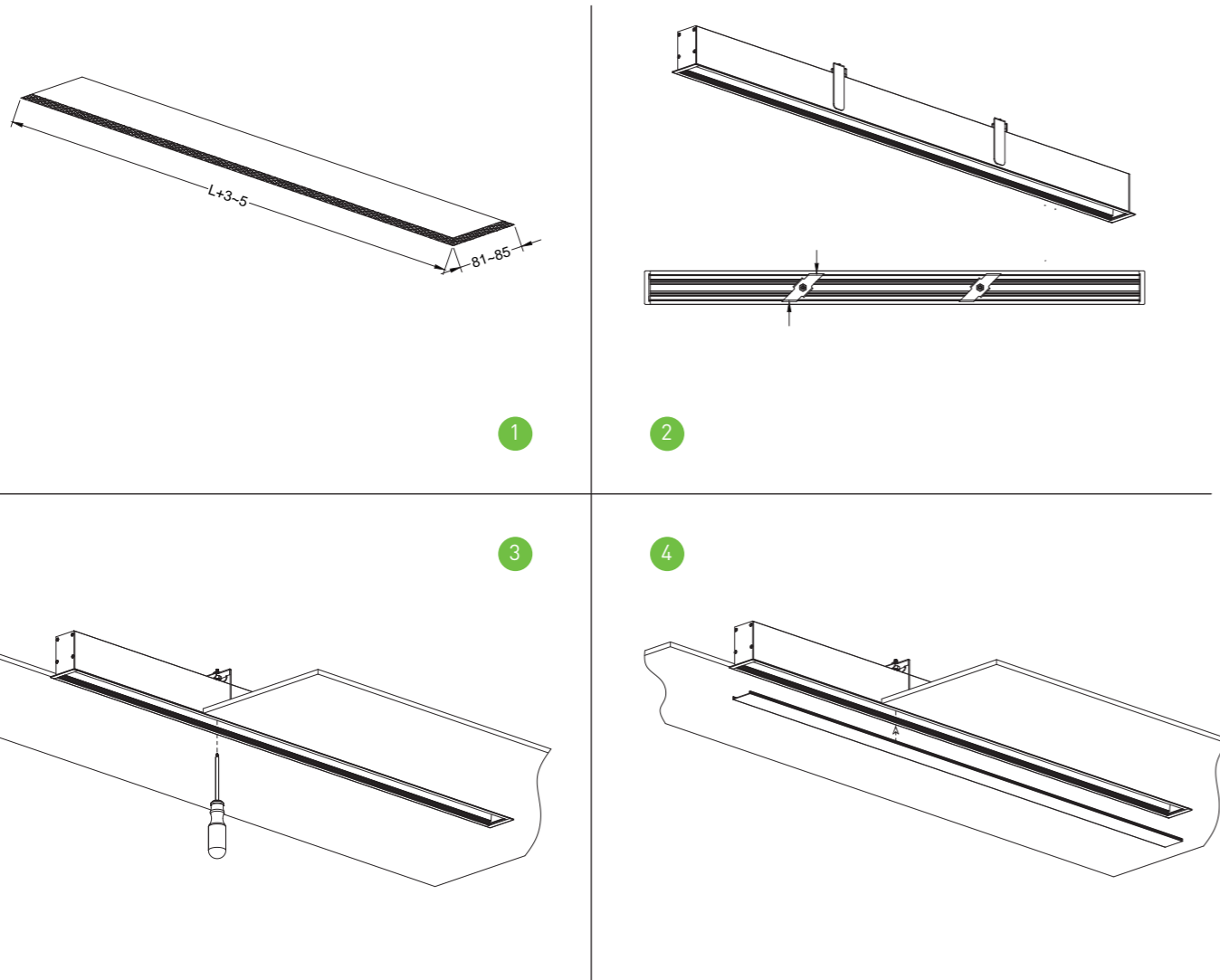
Trimmed Recessed Kit



Trimmed Recessed Installation

PENDANT INSTALLATION

Caution: Turn off power to electrical box before installing!



- 1 Cut appropriate size slots on the ceiling according to the specifications of the luminaire. The width of the slot is about 81~85mm, and the length of the slot is increased by 3~5mm according to the total length of the luminaire's body;
- 2 Adjust the N Bracket on the luminaire, make sure the Bracket is parallel to the two sides of the luminaire as photo showing.
- 3 Taking off the Lens, and use a screwdriver to adjust the bolts of the bracket. Make sure the bracket is sitting well on the ceiling.
- 4 After the luminaire is fixed well, put the Lens back on the luminaire and complete the installation.

INSTRUCTIONS FOR INSTALLATION AND USE

WARNING : The security of this equipment is guaranteed only with compliance of these instructions, so you must keep them. Installation and all non-routine maintenance must be carried out only by qualified personal.

Disconnect power before taking any action on the fitting.

Blueview is not responsible for any damage to persons and/or property resulting from improper installation, misuse, or unauthorized modifications made to their products.

Obtain the correct power supply unit (accessory not included), install it in a remote location and prepare the cables for their connection

Connect to the power supply (PAYING ATTENTION TO OBSERVE POLARITY, parallel connection)

Explanation of the symbols on the label.

Due to a program of continuous improvement information is subject to change without notice.
© Blueview 2020 – All rights reserved. Made in China.

BLUEVIEW ELEC-OPTIC TECH CO.,LTD
Tel: +86-28-8148 0011 Fax: +86-28-8148 1258
Mail: sales@blueviewled.com
Web.: www.blueviewled.com
Add: No.1000, Konggang 2nd Konggang Road, Southwest Aviation Industrial Zone, Chengdu, China. 610207